

1960 LOGO



1965 LOGO

Lafayette

1965 LOGO



1978 LOGO

Lafayette

LAFAYETTE

RADIO BROADCASTER

PHONO OSCILLATOR

STOCK NO. 99-01778

1962

**Lafayette Radio Electronics Corp.
111 Jericho Turnpike Syosset, NY 11791**

COMPILED BY JEFF MORRISON APRIL 15, 2015

TABLE OF CONTENT

PAGE

1) INSTRUCTION & SCHEMATIC

2) TOP VIEW, SHIPPING BOX & TRANSMITTER

3) FRONT & TOP VIEW

4) BACK & TOP VIEW

5) BOTTOM VIEW, COMPONENTS



LAFAYETTE®

PHONO OSCILLATOR

105-125 Volts AC/DC

Stock No.99-0177

This phono oscillator is designed to be used with a high output crystal cartridge. The frequency of the oscillator is factory pretuned to 1700 KC. It may be varied by changing the inductance of the oscillator coil; turning the oscillator adjusting screw in a clockwise direction will lower the frequency, counter clockwise will raise the frequency. The flexible lead wire antenna should be uncoiled and placed as close as possible toward the receiver it is to be used with.

IMPORTANT : All AC/DC equipment presents a possible shock hazard to the user unless certain precautions are taken.

Do not insert power cord plug into outlet until associated equipment is connected.

Always remove power cord plug from outlet before disconnecting associated equipment.

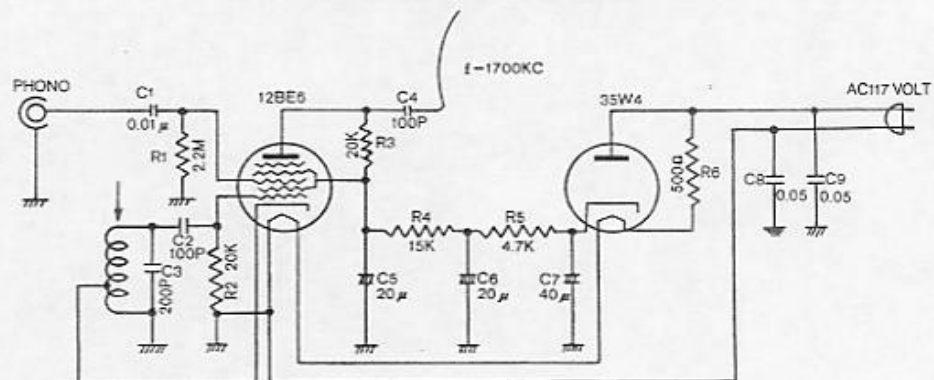
The shielded phono pickup lead should have an insulated covering and the shield should not be connected to either the tone arm or record changer base. In some record players the shield is connected to the record player frame. Therefore make sure that this condition does not exist before inserting power cord plug into outlet.

When used on AC, try reversing the power cord plug in the outlet. Leave in position that results in minimum hum.

For further reduction of hum, after you are certain that pickup leads are insulated from the record player base, a separate wire can be used to connect the record player base or motor to an earth ground.

When used on DC, the power cord plug must be inserted in the outlet correctly polarized. If the unit does not operate, reverse the power cord plug in the DC outlet.

SCHEMATIC DIAGRAM



LAFAYETTE RADIO ELECTRONICS CORPORATION

Printed in Japan

TOP VIEW, SHIPPING BOX & TRANSMITTER



FRONT & TOP VIEW



BACK & TOP VIEW



BOTTOM VIEW, COMPONENTS

